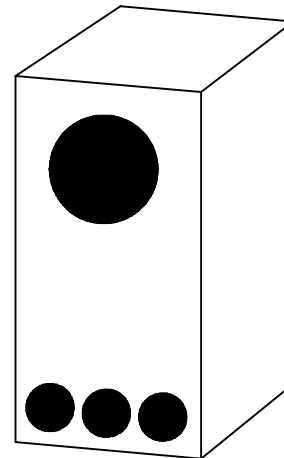
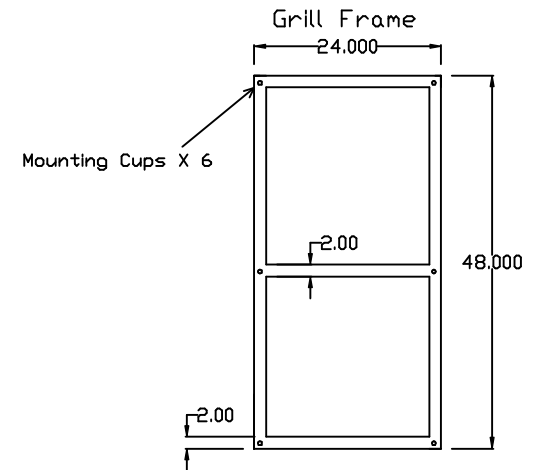
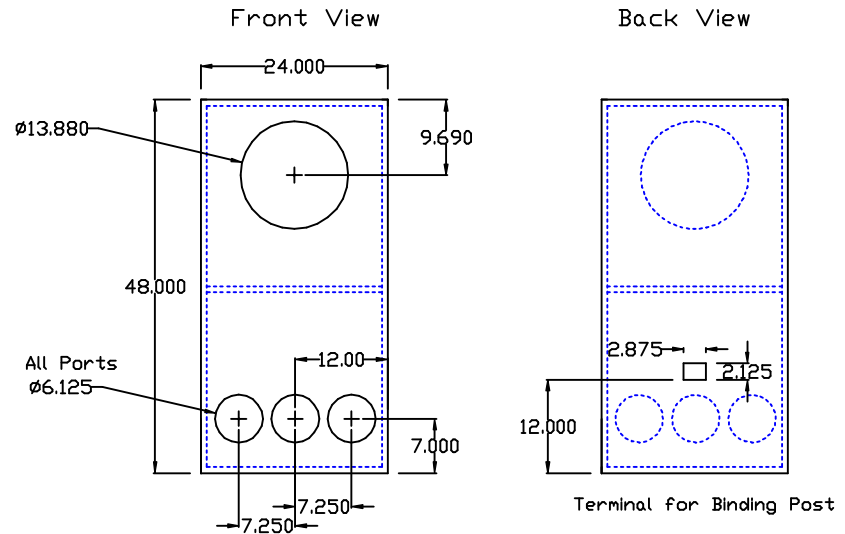
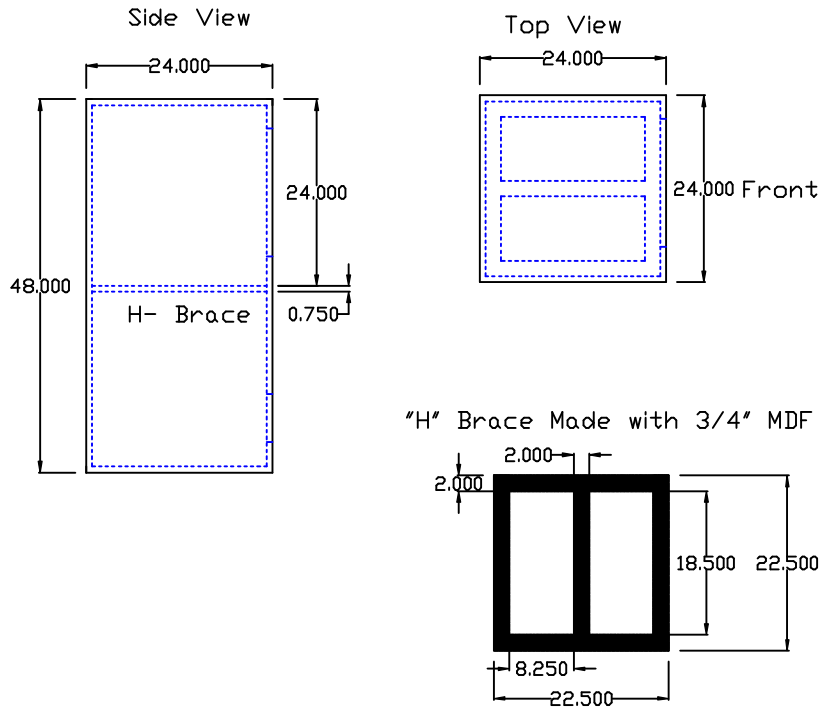


Model No. 136-15



Construction Recommendations:

1. All external dimensions are shown using 3/4" material
2. Recommended Build Material for sound characteristics:
 - A. Soft/Warm: Baltic Birch
 - B. Medium/Neutral: Particle Board
 - C. Detailed/Bright: MDF
3. Place 1" thick acoustic damping material on ALL internal surfaces EXCEPT the inside of the front baffle.
4. Use either Wood Veneer or Vinyl laminate of your choosing on Top, Front and Sides.

Model No. 136-15	
CommonSense Audio	
Designed by David Dicks for the PAudio BM18CX38 Full Range Driver	
Date: 02-07-2007	
Drawn by: J.Parker	Last Rev:02-07-2007